

# LISTE DES PIÈCES DÉTACHÉES

**Hisense** EUROPE

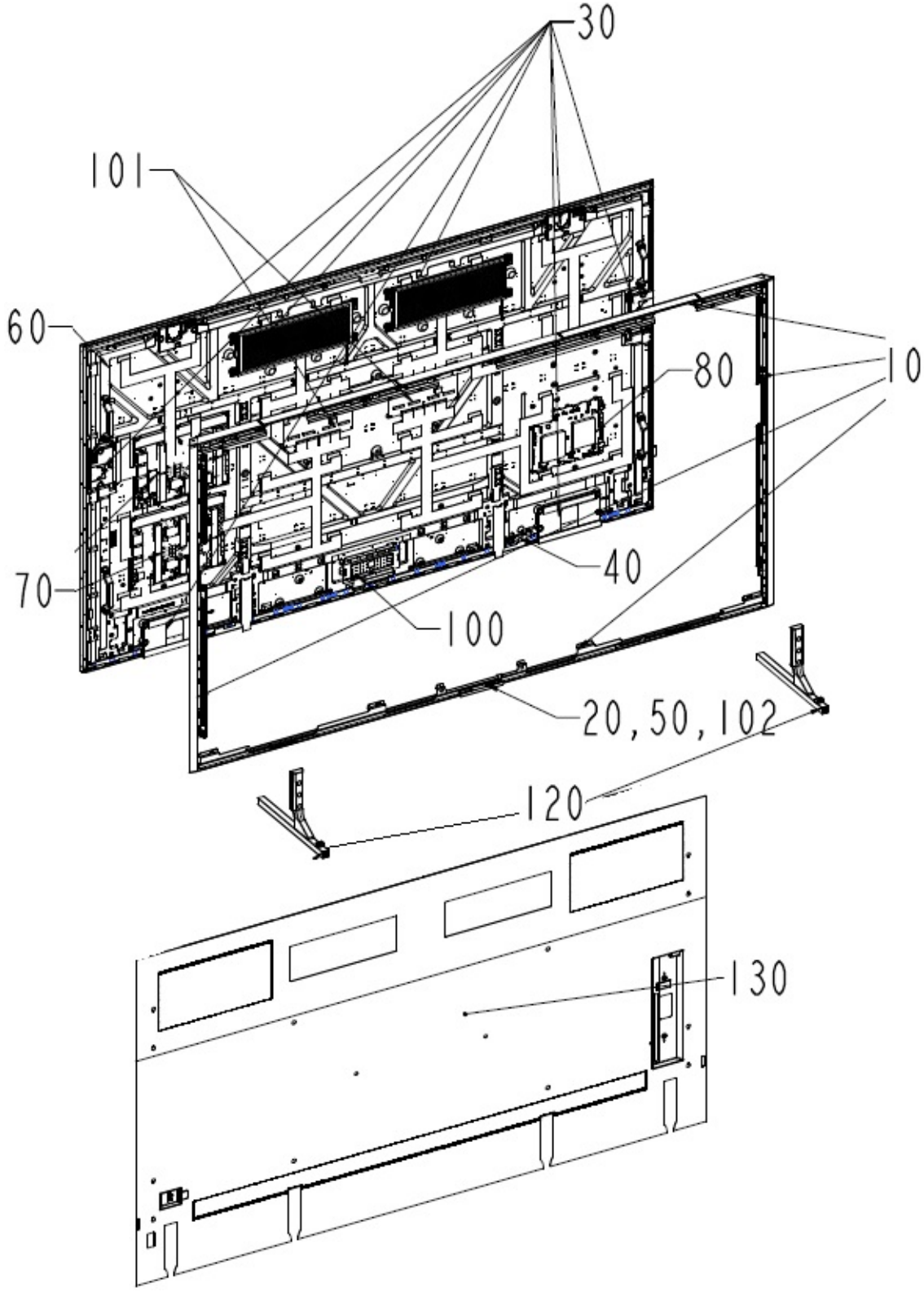
Date 07.01.2025

Heure 11:16:39

---

Type (Modèle Usine)	110U9LEVS	Marque	HISENSE
Modèle	110UXNQ	Version	19.09.2024
ID Produit / ART. No	20014918	N° d'Index	A242733

**20014918-01**



Position	Identifiant	Désignation	Quantité	Validité	Extra ID
030	HT419999	SPEAKER ASS'Y 110U9LEVS	1		
040	HT1263279	WIFI BOARD TX7921AU64T	1		
050	HT350124	IR BOARD 85U9HAVS	1		
060	HT417322	LCD PANEL HD110H9U71-L1\S0	1		
070	HT414158	POWER BOARD RSAG2.908.51959	1		

Position	Identifiant	Désignation	Quantité	Validité	Extra ID
071	HT406233	POWER BOARD RSAG2.908.13062-27	1		
080	HT420513	MAIN BOARD 110U9LEVS	1		
090	HT417058	LVDS CABLE 110U9LUA	1		
101	HT1403309	T-CONB BOARD HV110QUB-E10	1		
102	HT411868	DRIVER BOARD SMD RSAG2.908.5145	1		
103	HT411870	DRIVER BOARD SMD RSAG2.908.51456-03TP	1		
110	HT1199888	POWER CORD AC DTIII-2P-05+DTII-3P-04	1		
120	HT417323	STAND ASSEMBLY RSAG6.180.50167	1		
121	HT417200	STAND SCREW 110U9LUA	1		
140	HT349835	REMOTE CONTROL ERF6A66	1		
150	HT1408659	CARTON BOX CF-A24250S	1		
160	HT411293	LED LIGHT BAR BD110H9U71-L1-8-1280C	1		
700	HT1219863	HDMI SOCKET 51U019S-30MN1R3165	1		
701	HT1231651	USB SOCKET UBR-008F07S10	1		
702	HT1206986	CAPACITOR CD287-25V-680U-M-10125-5	1		
703	HT1136279	ELECTROLYTIC CAPACITOR 25V 470UF	1		
704	HT1139228	ELECTROLYTIC CAPACITOR 35V 470UF	1		
705	HT1155911	ELECTROLYTIC CAPACITOR 25V 470UF	1		
706	HT1171951	ELECTROLYTIC CAPACITOR 25V 470UF	1		
707	HT1187230	ELECTROLYTIC CAPACITOR 35V 470UF JC	1		
708	HT1205338	ELECTROLYTIC CAPACITOR 35V 820UF	1		
709	HT1206986	CAPACITOR CD287-25V-680U-M-10125-5	1		
710	HT1234347	ELECTROLYTIC CAPACITOR 25V 820UF	1		
711	HT1264791	ELECTROLYTIC CAPACITOR 6.3V 820UF	1		
712	HT1231491	RF SOCKET RD119081405	1		
713	HT1231492	RF SOCKET RD119080702	1		