

# LISTE DES PIÈCES DÉTACHÉES

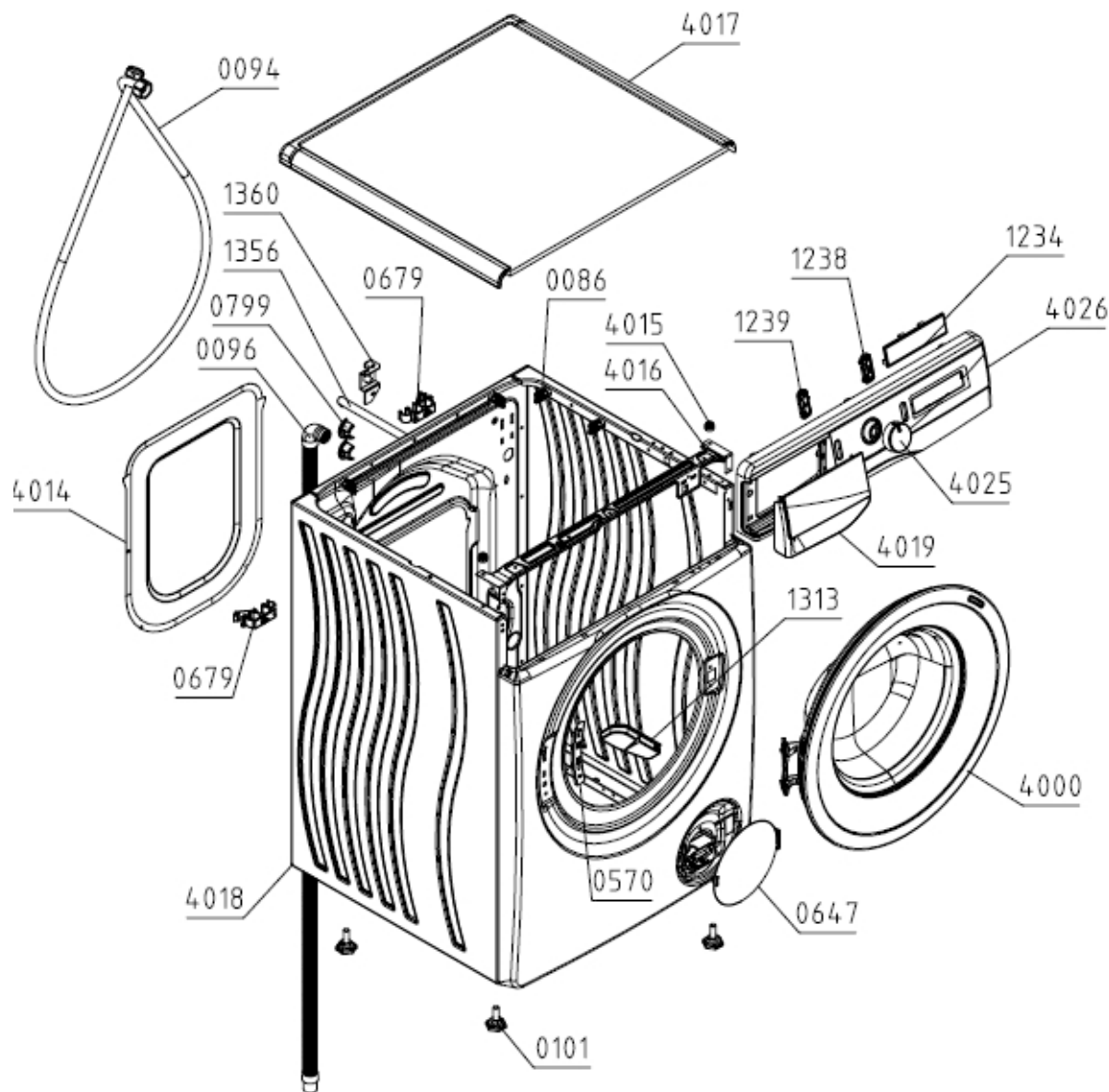
**Hisense** EUROPE

Date 17.05.2024  
Heure 14:50:11

Type (Modèle Usine) PS22/2B140  
Modèle W1014GEVMB  
ID Produit / ART. No 744027

Marque HISENSE  
Version 19.12.2023  
N° d'Index 01

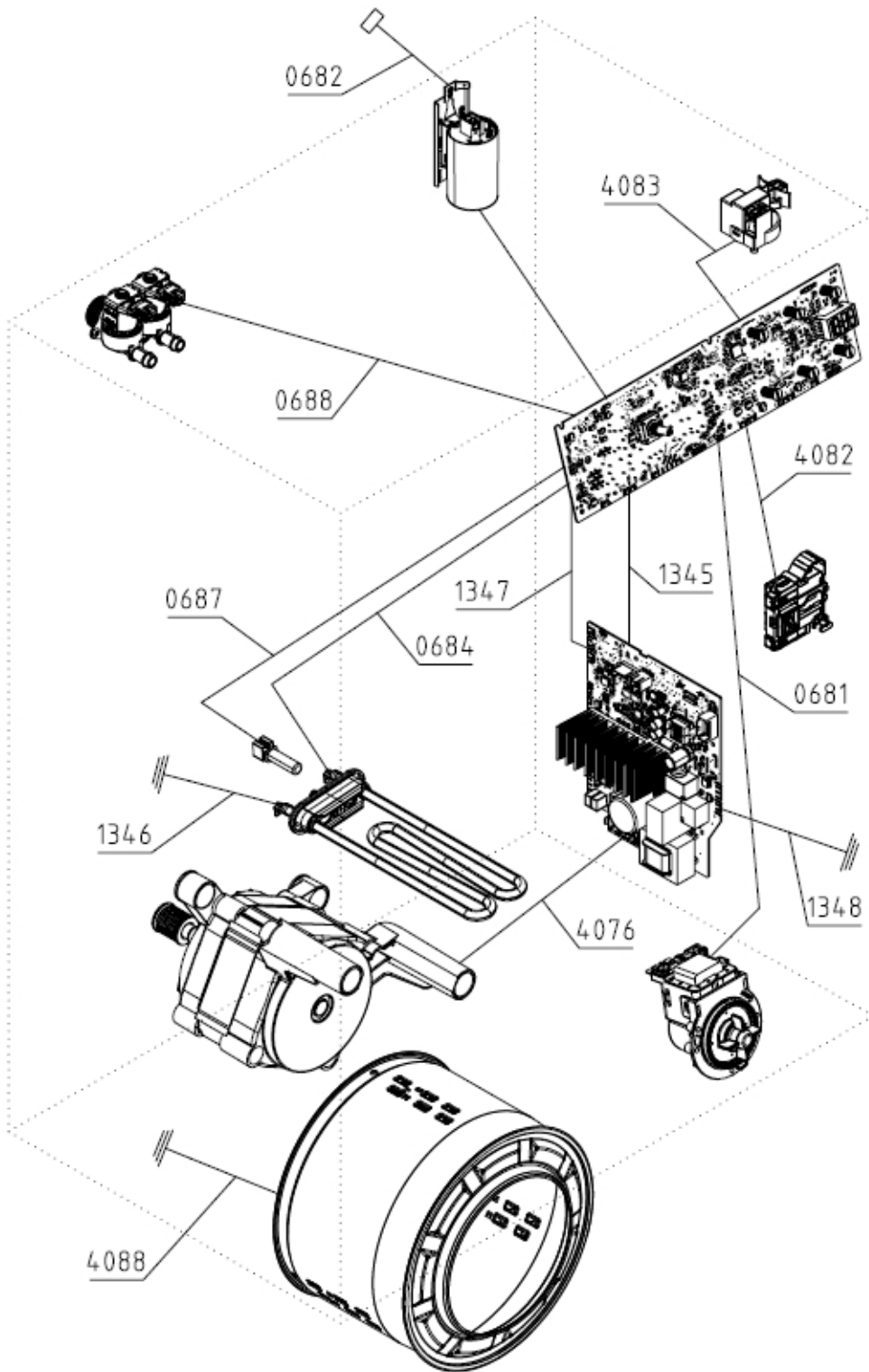
**021447**



Position	Identifiant	Désignation	Quantité	Validité	Extra ID
0086	547104	CLAMP PS	10		
0094	157474	SUPPLY HOSE HV PS	1		
0096	699606	DISCHARGE HOSE NK PS-15	1		

Position	Identifiant	Désignation	Quantité	Validité	Extra ID
0101	816544	ADJUSTABLE FOOT PS-10 KPL	4		
0570	466627	HINGE PLATE PS-15	1		
0647	720870	FILTER COVER 9005 PS-15 KPL	1		
0679	877538	HOSE HOLDER PS-22	2		
0799	148999	RUBBER SEAL PS-03	1		
1234	917636	DISPLAY PLATE B2/14 PS-22 FR/NS HSN1 S	1		
1238	885303	PAUSE KEY PS/SP-22 9005 SIG	1		
1239	865896	SWITCH ON KEY PS/SP-22 9005	1		
1356	466625	BLOCKING ROD 600 PS-15	2		
1360	587350	TRANSPORT RODS SUPORT	2		
4000	687533	DOOR PS-15 BK ASSY	1		
4014	466535	REAR WALL COVER PS-15 F	1		
4015	578966	WORKTOP PLUG PS-15 ASSY	2		
4016	808503	CONTROL PANEL HOLDER PS-15 MOLLIS	1		
4017	884419	WORKTOP 60 ČR PS-22 KPL	1		
4018	873517	HOUSING 60-1600 PS-15 LA9005-S	1		
4019	917659	SOAP DISPENSER HANDLE PS-22 HSN1 SIG	1		
4025	863443	CONTROL KNOB 9005 PS/SP-22 KPL	1		
4026	917690	CONTROL PANEL ČR B2 PS22 H FR/NS HSN1 S	1		

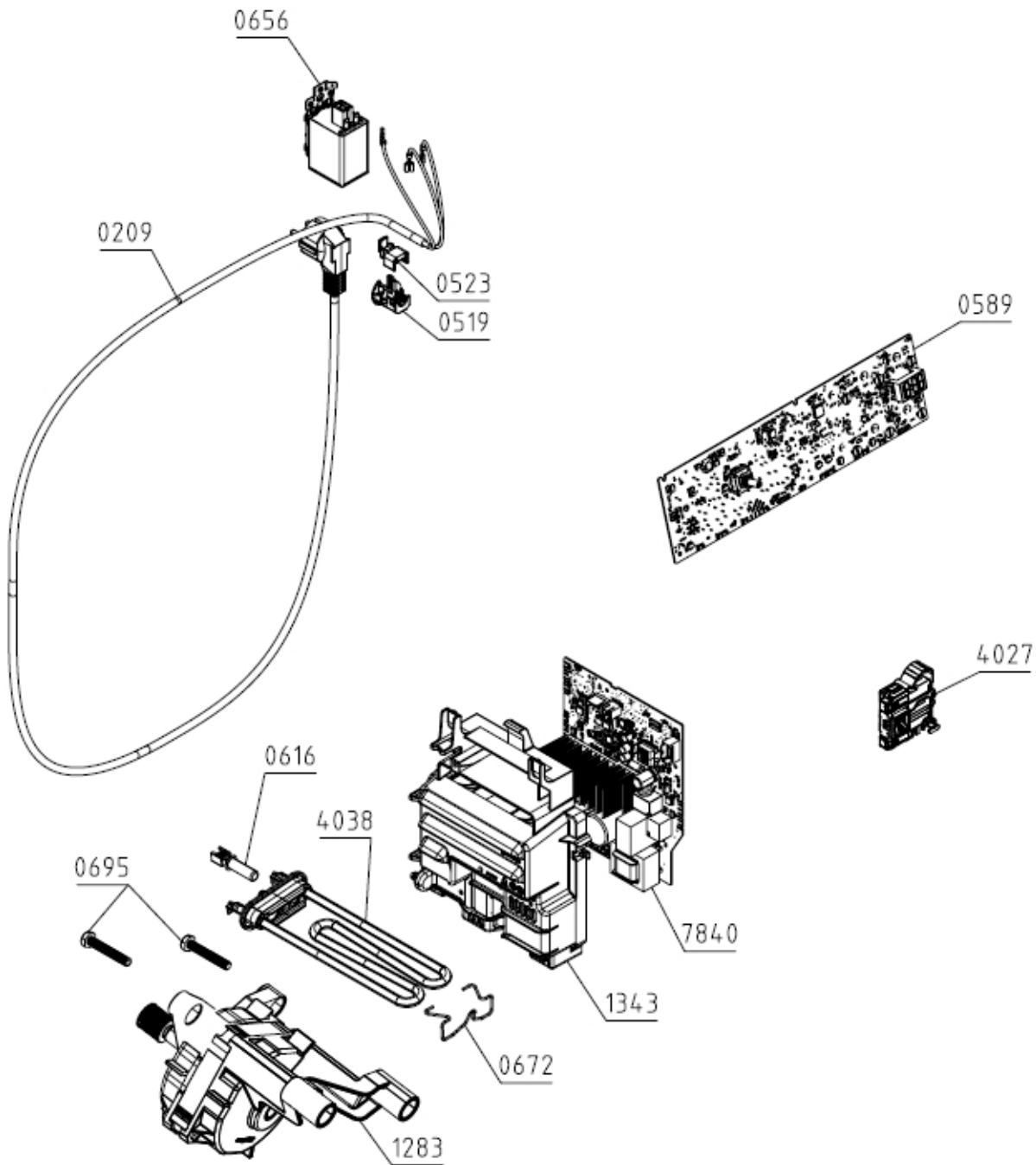
**023457**



Position	Identifiant	Désignation	Quantité	Validité	Extra ID
0681	870460	WIRING HARNESS PUMP 60/EN PS-22 N	1		
0682	870423	WIRING HARNESS SUPPLY 60/EN PS-22 N	1		
0684	870431	WIRING HARNESS HEATER 60/EN PS-22 N	1		
0687	870456	WIRING HARNESS - NTC 60/EN PS-22 N	1		
0688	870430	WIRING HARNESS VALVE 60/EN PS-22 N	1		
1345	870436	WIRING HARNESS SUPPLY MCU 60/EN PS-22 N	1		

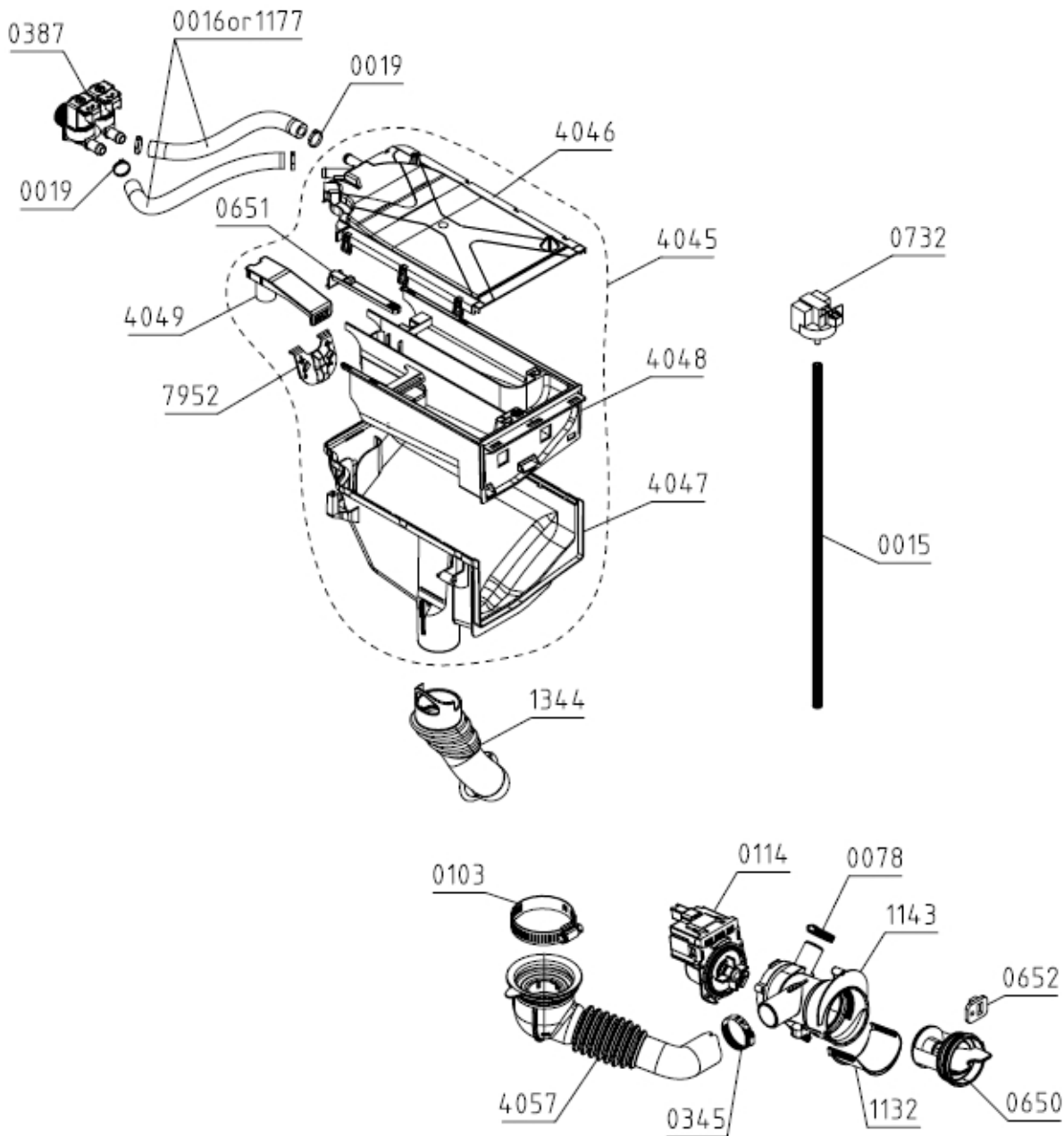
Position	Identifiant	Désignation	Quantité	Validité	Extra ID
1346	870419	WIRING HARNESS EARTHING HEATER PS-22 N	1		
1347	916586	WIRING HARNESS COMMUN.MCU 60/EN PS-22	1		
1348	870297	EARTHING MCU PS-22 N	1		
4076	870296	WIRING HARNESS MOTOR EN PS-22 N	1		
4082	870418	WIRING HARNESS DOOR SWITCH EN PS-22 N	1		
4083	870417	WIRING HARNESS SENSOR LEVEL EN PS-22 N	1		

**023462**



Position	Identifiant	Désignation	Quantité	Validité	Extra ID
0209	132222	CABLE WITH PLUG H05VV-F3G1.0 1550	1		
0519	667400	RUBBER SEAL	1		
0523	667401	CLIP FOR INITIATION SLEEVE	1		
0589	910541	CONTROL UNIT B2-BM66 PS-22/64-A-14-10	1		
0616	658696	TEMPERATURE SENSOR	1		
0656	431466	RFI-FILTER 1,5MH H.A.L.	1		
0672	194555	HEATER CLAMP PS-03 CA	1		
0695	862660	SCREW PT8X30 10.9-F-A2F KPL	2		
1283	876434	ELECTROMOTOR BPM 54/60 WOLONG	1		
1343	846697	CONTROL UNIT HOLDER MCU PS-22	1		
4027	579333	DOOR LOCK PS-15	1		
4038	602720	TUB.HEATER 230V/1700W	1		
7840	906779	SUPPLY UNIT BM-9.66 PS-22 WOLO3 UL4	1		

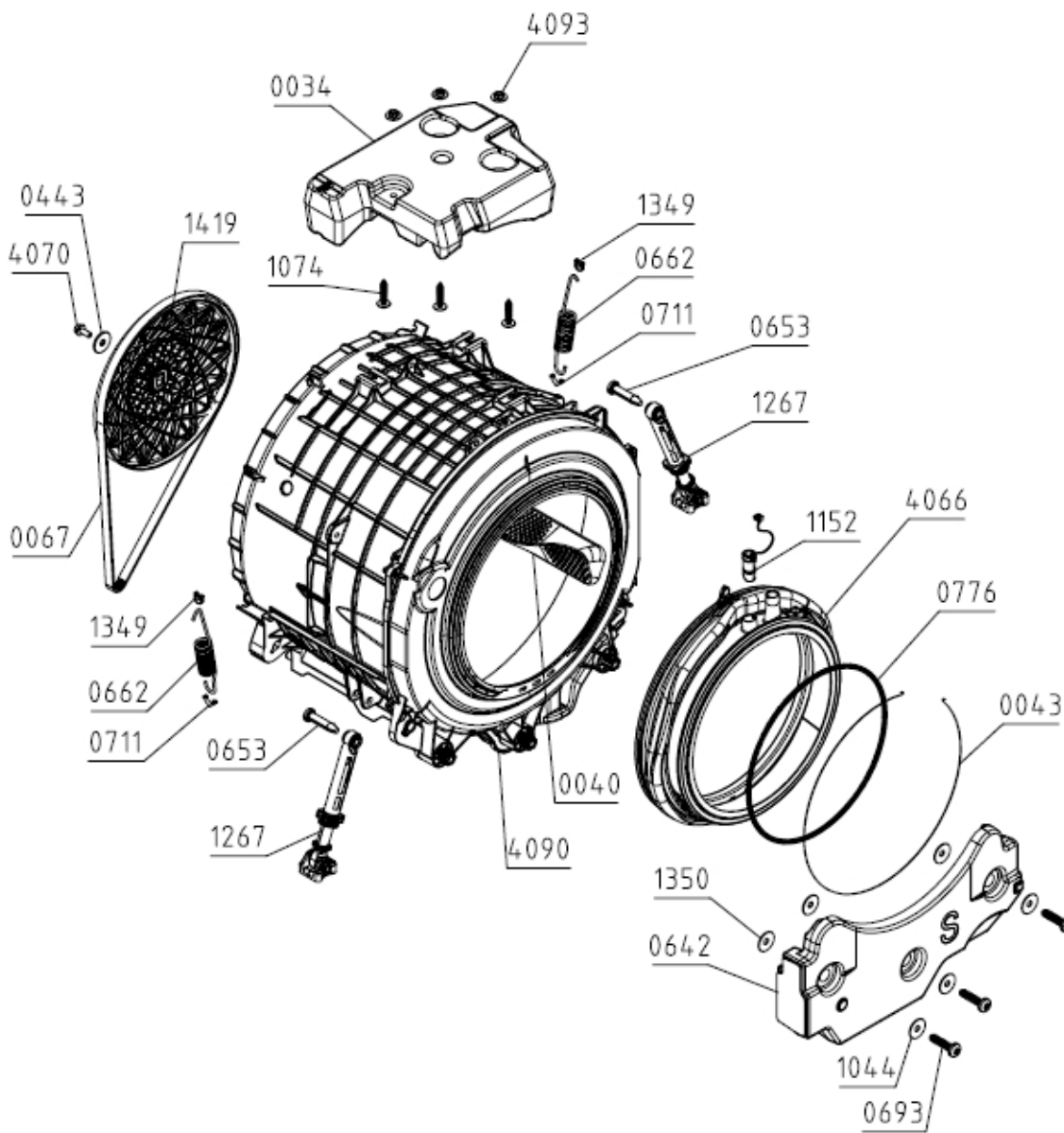
**024424**



Position	Identifiant	Désignation	Quantité	Validité	Extra ID
0015	711818	HYDROSTAT HOSE PS-03 L555	1		
0019	314400	CLAMP - PLASTIC D 16	4		
0078	498292	CLAMP D28,6	1		
0103	548401	CLAMP - WIRE PS D 65	1		
0114	665323	DISCHARGING PUMP T2107 AL ASKOLL	1		
0345	537874	CLAMP - WIRE D 38	1		
0387	587559	ELECTRIC VALVE - DOUBLE	1		
0650	716300	FILTER INSERTION E PS-15	1		
0651	579171	SNAP PIN PS-15	1		
0652	587438	FILTER SHOCK ABSORBER	1		
0732	797414	WATER LEVEL SENSOR ST-545 NS METALFLEX	1		

Position	Identifiant	Désignation	Quantité	Validité	Extra ID
1132	333909	DISCHARGE CHANNEL PS-10	1		
1143	333903	FILTER BOX PS-10	1		
1177	309930	HOSE PS D15X260	2		
1344	838776	DETERGENT HOSE PS-20	1		
4045	865319	SOAP DISPENSER BOL PS-15 KPL	1		
4046	466586	SOAP DISPENSER LID PS-15 ASSY.	1		
4047	865317	SOAP DISPENSER HOUSING BOL PS-15	1		
4048	579190	SOAP DISPENSER DRAWER PS-15	1		
4049	672929	SOFTENER INSERT PS-15	1		
4057	590300	HOSE TUB-FILTER PS-15 KPL	1		
7952	466608	LIQUID DETERGENT INSERT PS-15	1		

**025410**



Position	Identifiant	Désignation	Quantité	Validité	Extra ID
0034	338900	COUNTERWEIGHT - UPPER PS-10	1		
0040	664610	DRUM RIB WITH SHOWER 60 PS-15	3		
0043	853975	WIRE CLIP D350 KPL	1		
0067	623111	RIBBED BELT 6EPJ 1260 GATES	1		
0443	234660	WASHER 10,5X36X3	1		
0642	686252	FRONT WEIGHT PS-15	1		
0653	904062	TUB SHOCK ABSORBER PIN PS-22 HSN	2		
0662	882394	TUB SPRING 60 BE 4,0 PS-22	2		
0693	587309	SCREW PT100X50-WN5452-50IP-EJOT-A2K-TORX	3		
0711	587346	SUPPORT SPRING INSERT PS-03 040	2		
0776	122062	SPRING CLAMP PS-03	1		
1044	819493	WASHER D34/D10,5	3		



Position	Identifiant	Désignation	Quantité	Validité	Extra ID
1074	290070	SCREW	3		
1267	903727	TUB SHOCK ABSORBER 54/60 PS-15 R ASSY	2		
1349	857749	SUPPORTING SPRING INSERT-CABINET PS-21	2		
1350	820573	WASHER 45X28X1,5-A2F	3		
1419	873475	BELT PULLEY 60 PS-22	1		
4066	576360	DOOR SEAL PS-15	1		
4070	621649	SCREW M10X20-10.9-BR	1		
4090	917386	TUB CA 60-1400 UL WITH DRUM PJ PS-22-S	1		
4093	548358	NUT KPL	3		