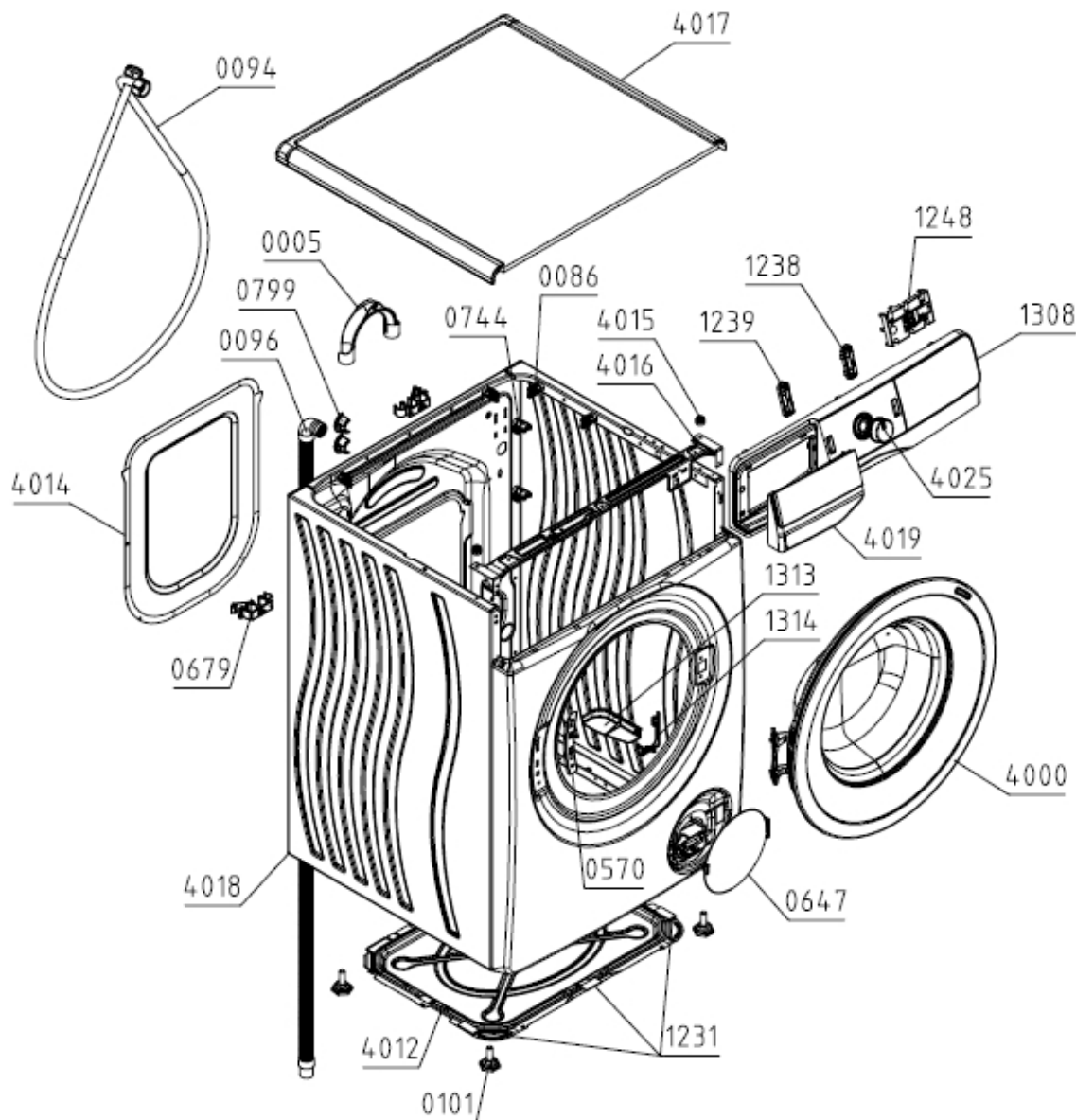


Type (Modèle Usine) PS15/34140
Modèle WFGE80141VM
ID Produit / ART. No 738310

Marque HISENSE
Version 11. 01. 2021
N° d'Index 02

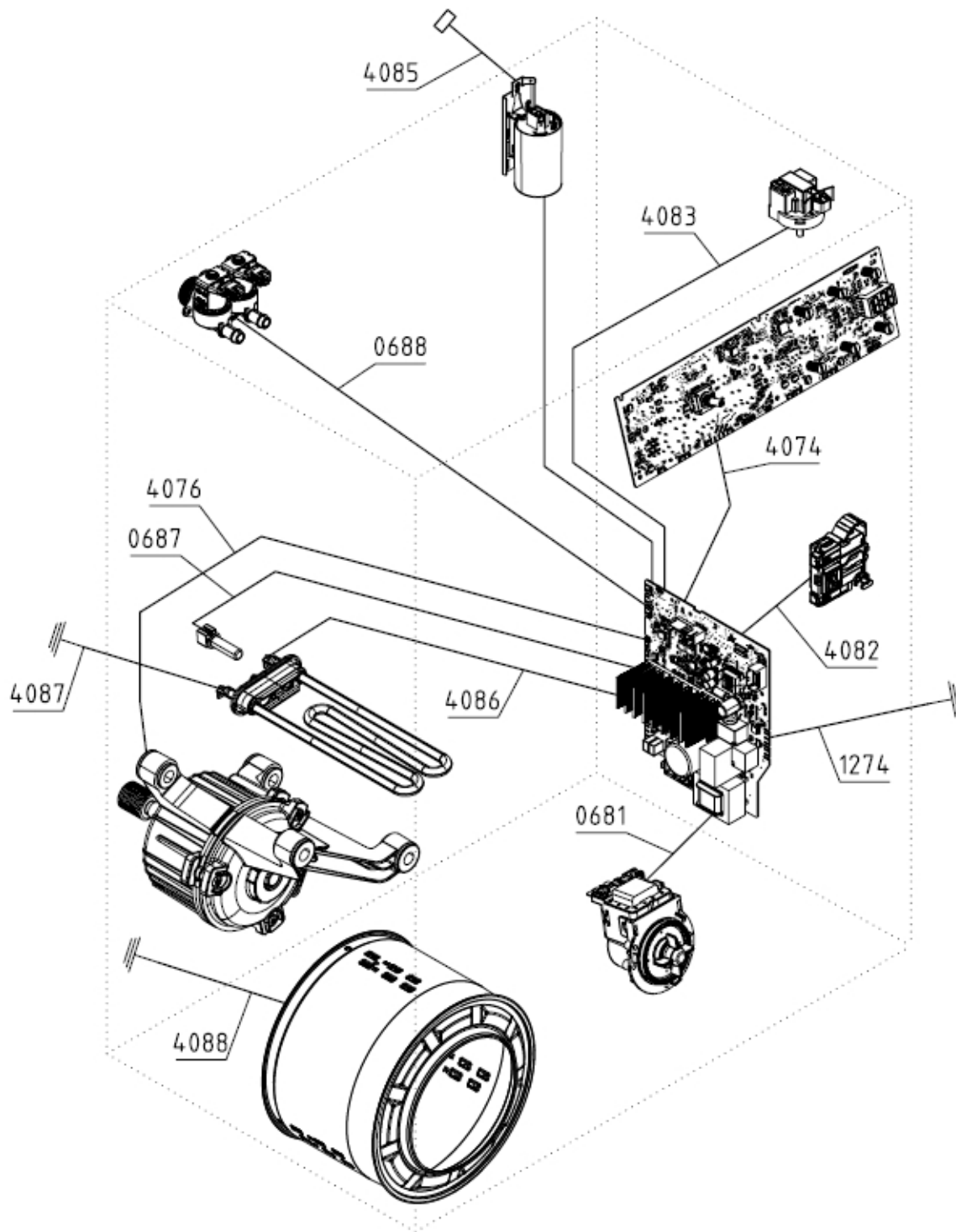
021440



Position	Identifiant	Désignation	Quantité	Validité	Référence Pièce
0086	547104	CLAMP PS	12		G547104
0094	686969	SUPPLY HOSE H TUR KPL	1		G686969

Position	Identifiant	Désignation	Quantité	Validité	Référence Pièce
0096	699606	DISCHARGE HOSE NK PS-15	1		G699606
0101	816544	ADJUSTABLE FOOT PS-10 KPL	4		G816544
0570	466627	HINGE PLATE PS-15	1		G466627
0647	579303	FILTER COVER PS-15 KPL	1		G579303
0679	105858	HOSE BRACKET	2		G105858
0799	148999	RUBBER SEAL PS-03	1		G148999
1238	817448	PAUSE KEY L0 070 PS/SP-20 HSN	1		G817448
1239	817447	SWITCH ON KEY L0 070 PS/SP-20 HSN	1		G817447
1248	584994	PHASE DISPLAY HOLDER PS-15	1		G584994
1308	839435	CTRL PANEL/DISPLAY PS-20 HSN PT/ES/NS	1		G839435
1313	829842	PROTECTION PMCU PS-20	1		G829842
1314	829841	WIRING HARNESS HOLDER BPM PS-20	2		G829841
4000	687533	DOOR PS-15 BK ASSY	1		G687533
4014	466535	REAR WALL COVER PS-15 F	1		G466535
4015	578966	WORKTOP PLUG PS-15 ASSY	2		G578966
4016	466555	CONTROL PANEL HOLDER PS-15	1		G466555
4017	579099	WORKTOP 54 PS-15 KPL	1		G579099
4018	714417	HOUSING 54-1600 PS-15 LA070-S	1		G714417
4019	824467	SOAP DISPENSER HANDLE PS-20 HSN SIG	1		G824467
4025	824790	CONTROL KNOB PS/SP-20 HSN KPL	1		G824790

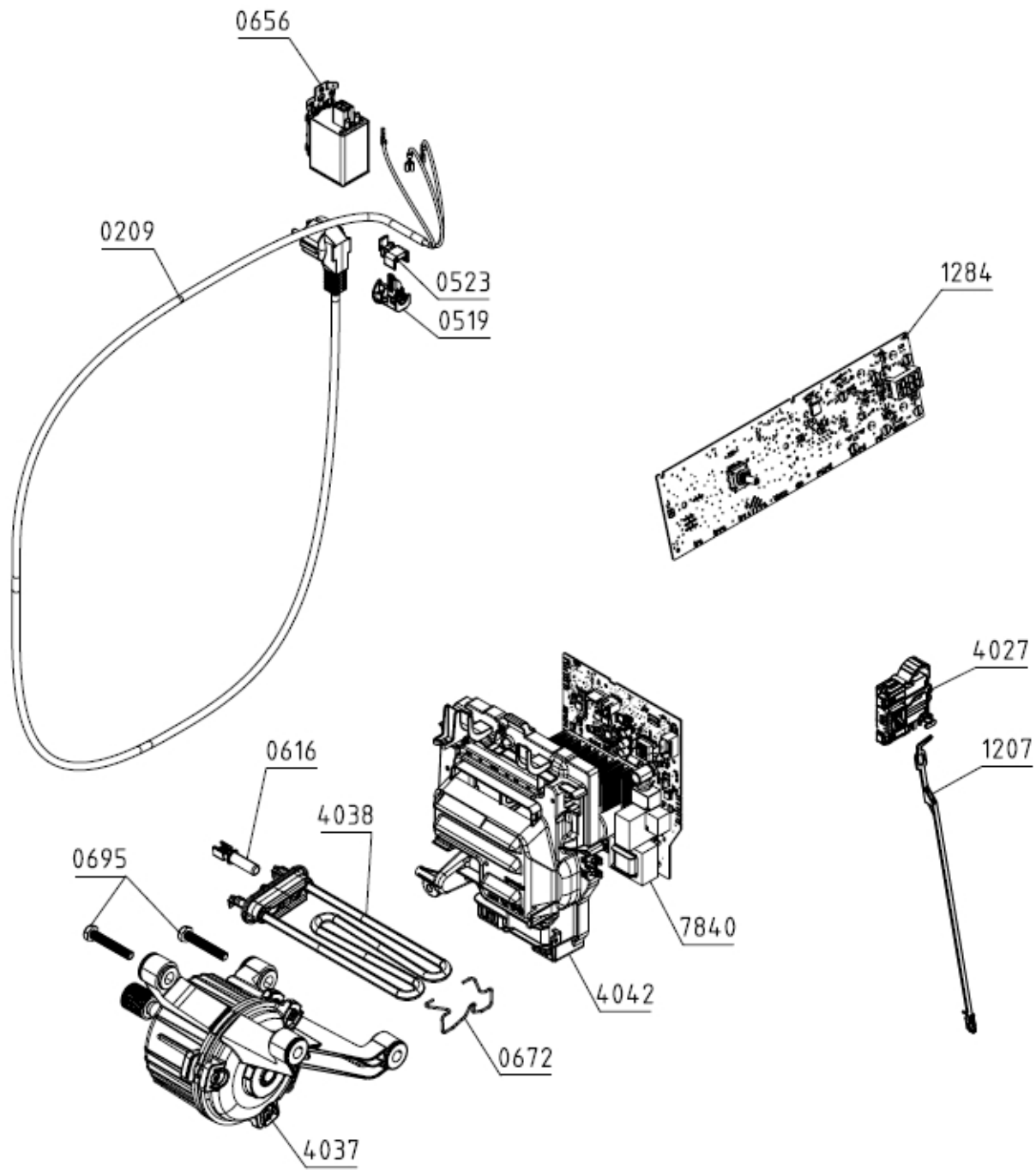
023433



Position	Identifiant	Désignation	Quantité	Validité	Référence Pièce
0681	579976	WIRING HARNESS - PUMP 54/EN PS-15	1		G579976
0687	579935	WIRING HARNESS - NTC EN PS-15	1		G579935
0688	579957	WIRING HARNESS DOUBLE VALVE EN PS-15	1		G579957
1274	579925	CONDUCTOR EARTHING SU PS-15	1		G579925
4074	579997	WIRING HARNESS CONTROL UNIT 54 PS-15	1		G579997
4076	579934	WIRING HARNESS MOTOR EN PS-15	1		G579934
4082	579987	WIRING HARNESS DOOR SWITCH 54/EN PS-15	1		G579987

Position	Identifiant	Désignation	Quantité	Validité	Référence Pièce
4083	579993	WIRING HARNESS SENSOR LEVEL 54/EN PS-15	1		G579993
4085	579923	WIRING HARNESS POWER SUPPLY EN PS-15	1		G579923
4086	579924	WIRING HARNESS HEATER EN PS-15	1		G579924
4087	688018	GROUNDING HEATER PS-15	1		G688018

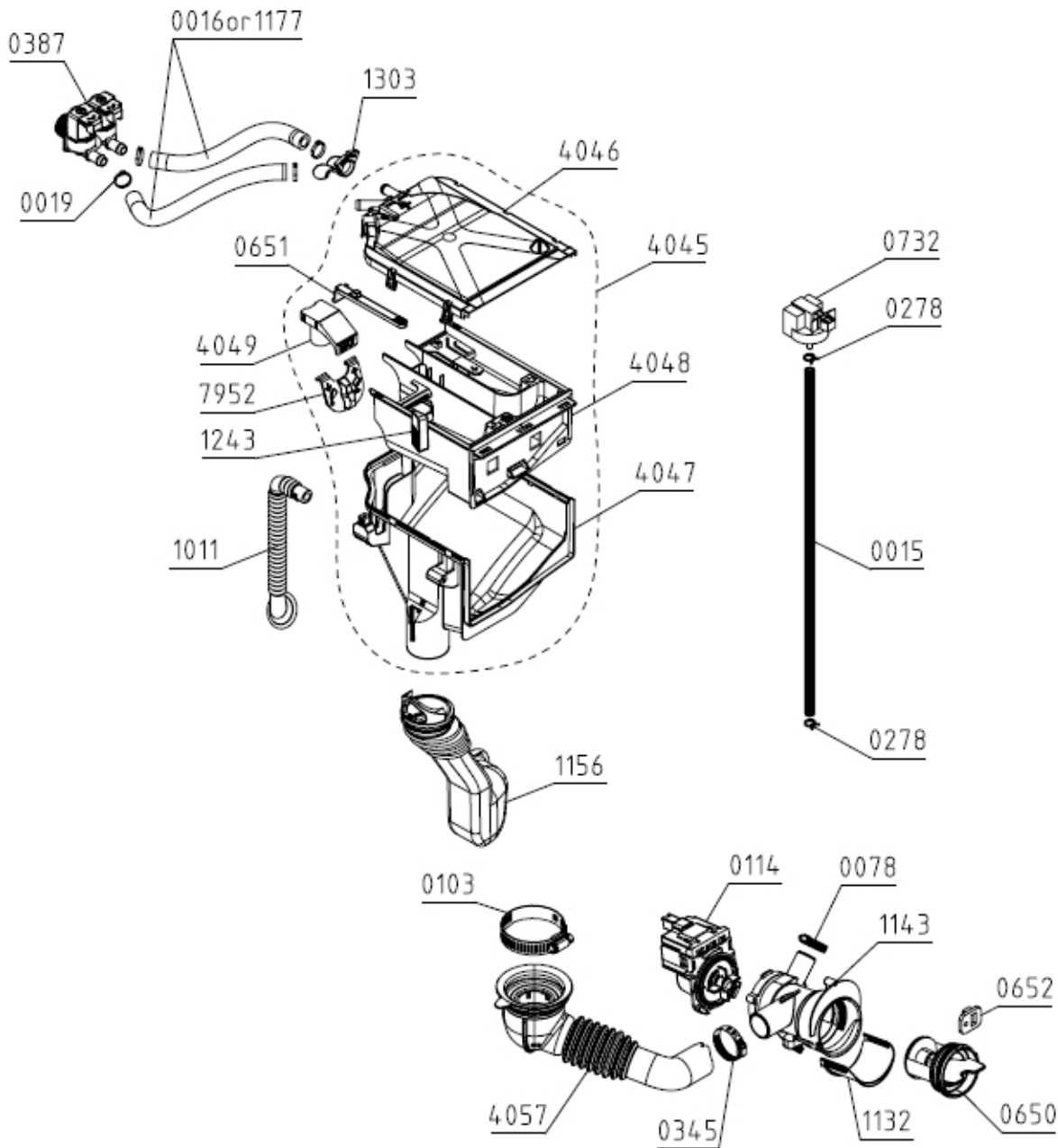
023434



Position	Identifiant	Désignation	Quantité	Validité	Référence Pièce
0209	132222	CABLE WITH PLUG H05VV-F3G1.0 1550	1		G132222
0519	667400	RUBBER SEAL	1		G667400

Position	Identifiant	Désignation	Quantité	Validité	Référence Pièce
0523	667401	CLIP FOR INITIATION SLEEVE	1		G667401
0616	658696	TEMPERATURE SENSOR	1		G658696
0656	431466	RFI-FILTER 1,5MH H.A.L.	1		G431466
0672	194555	HEATER CLAMP PS-03 CA	1		G194555
0695	587311	SCREW PT80X50 EJOT A2K	2		G587311
1284	579412	CONTROL UNIT PS-15	1		G579412
4027	579333	DOOR LOCK PS-15	1		G579333
4037	806504	ELECTROMOTOR BPM 54 SANJIANG	1		G806504
4038	602720	TUB.HEATER 230V/1700W	1		G602720
4042	579009	CONTROL UNIT HOLDER PS-15	1		G579009
7840	829174	SUPPLY UNIT BM-3.22 PS-21/L0-54	1		G829174

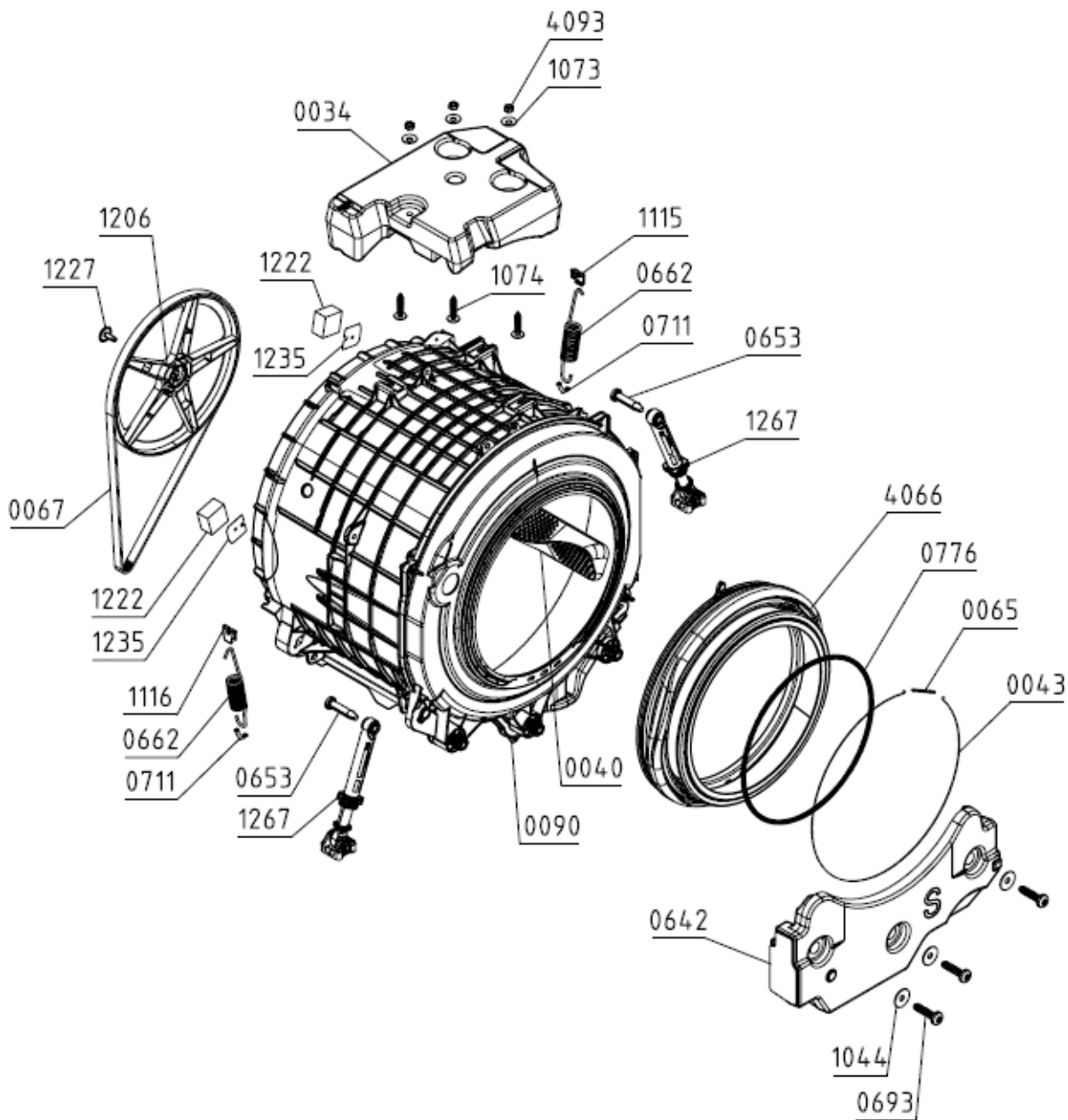
024404



Position	Identifiant	Désignation	Quantité	Validité	Référence Pièce
0015	711818	HYDROSTAT HOSE PS-03 L555	1		G711818
0019	314400	CLAMP - PLASTIC D 16	4		G314400
0078	349484	CLAMP - WIRE D 28	1		G349484
0103	548401	CLAMP - WIRE PS D 65	1		G548401
0114	665323	DISCHARGING PUMP T2107 AL ASKOLL	1		G665323
0345	537874	CLAMP - WIRE D 38	1		G537874
0387	789799	ELECTRO VALVE DOUBLE MT ELBI	1		G789799
0650	716300	FILTER INSERTION E PS-15	1		G716300
0652	587438	FILTER SHOCK ABSORBER	1		G587438
0732	797414	WATER LEVEL SENSOR ST-545 NS METALFLEX	1		G797414
1011	163954	EXHAUSTING HOSE PL.CA PS-06	1		G163954

Position	Identifiant	Désignation	Quantité	Validité	Référence Pièce
1132	333909	DISCHARGE CHANNEL PS-10	1		G333909
1143	333903	FILTER BOX PS-10	1		G333903
1156	333931	INLET HOSE PS-10	1		G333931
1177	309930	HOSE PS D15X260	2		G309930
4045	579169	SOAP DISPENSER KIT PS-15 KPL	1		G579169
4046	579173	SOAP DISPENSER LID PS-15 KPL	1		G579173
4047	579175	SOAP DISPENSER HOUSING PS-15	1		G579175
4048	579170	SOAP DISPENSER DRAWER PS-15	1		G579170
4049	466607	SOFTENER INSERT PS-15	1		G466607
4057	590300	HOSE TUB-FILTER PS-15 KPL	1		G590300
7952	466608	LIQUID DETERGENT INSERT PS-15	1		G466608

025403



Position	Identifiant	Désignation	Quantité	Validité	Référence Pièce
0034	338878	COUNTERWEIGHT - UPPER PS-10	1		G338878
0040	664608	DRUM RIB WITH SHOWER 54 PS-15	3		G664608
0043	587426	CLAMP - WIRE D350	1		G587426
0065	381735	WIRE CLAMP SPRING PS	1		G381735
0067	727702	BELT 5EPJ 1260 GATES	1		G727702
0090	711414	TUB CA 54-1400 PS-15-S	1		G711414
0642	338877	COUNTERWEIGHT - FRONT PS-10	1		G338877
0653	587313	TUB SHOCK ABSORBER PIN PS-03 000	2		G587313
0662	705599	TUB SPRING 54 PS-15	2		G705599
0693	587309	SCREW PT100X50-WN5452-50IP-EJOT-A2K-TORX	3		G587309
0711	587346	SUPPORT SPRING INSERT PS-03 040	2		G587346
0776	122062	SPRING CLAMP PS-03	1		G122062

Position	Identifiant	Désignation	Quantité	Validité	Référence Pièce
1044	117277	SPRING WASHER D34/10,5	3		G117277
1074	290070	SCREW	3		G290070
1115	343633	TUB SPRING INSERTION PIECE PS-03 040	1		G343633
1116	343630	TUB SPRING INSERTION PIECE PS-03 040	1		G343630
1206	682202	BELT PULLEY 45/54 PS-15	1		G682202
1227	712844	SCREW M8X24-12.9 BR	1		G712844
1267	560111	TUB SHOCK ABSORBER ASSY 54/60 PS-15	2		G560111
4066	576360	DOOR SEAL PS-15	1		G576360
4093	310712	NUT M8-6-A3F	3		G310712